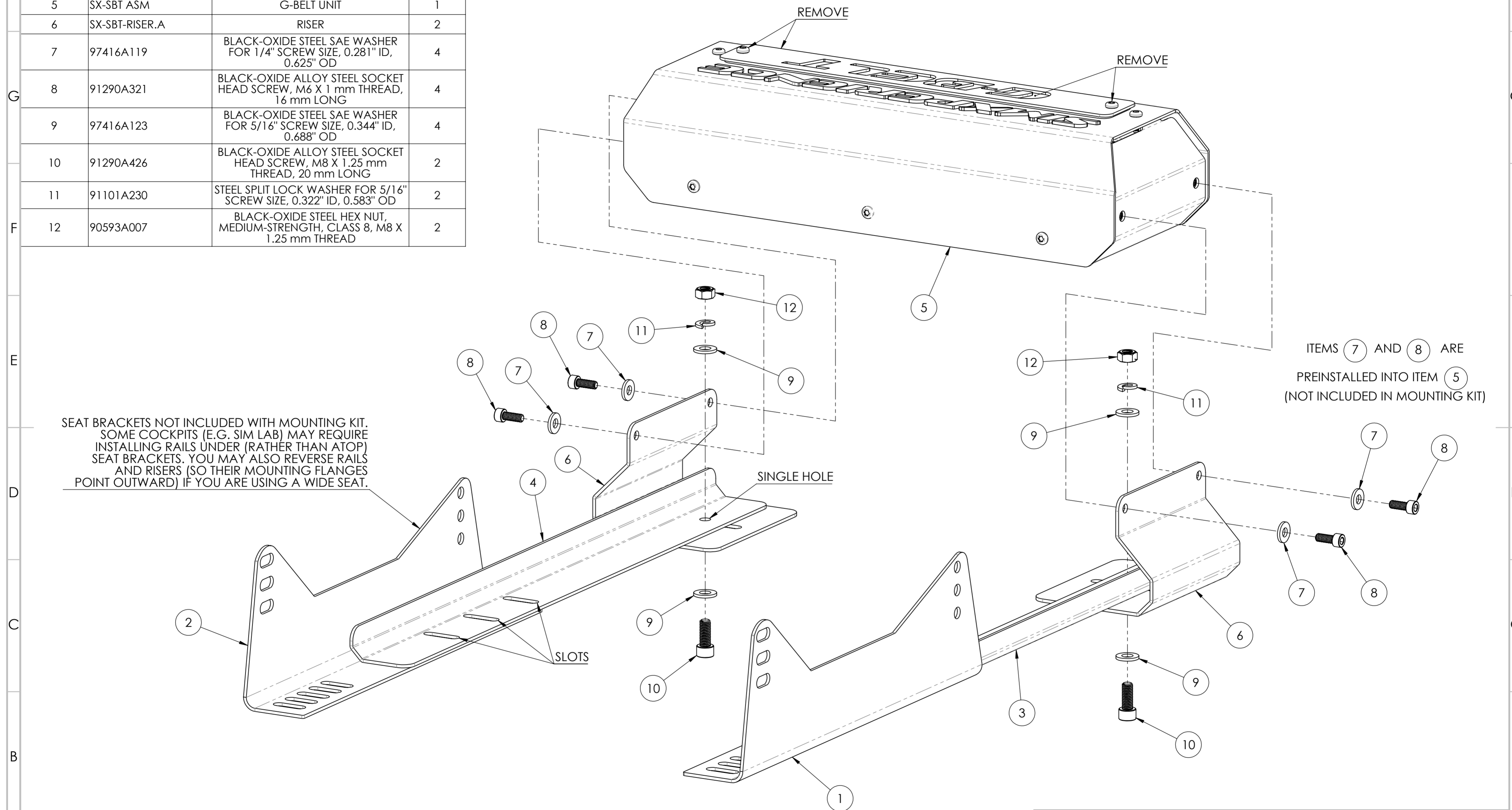


ITEM NO.	PART NUMBER	DESCRIPTION	QTY.
1	SEAT BRKT, LEFT	SEAT BRACKET, LEFT	1
2	SEAT BRKT, RIGHT	SEAT BRACKET, RIGHT	1
3	SX-SBT-RAIL-L.A	RAIL, LEFT	1
4	SX-SBT-RAIL-R.A	RAIL, RIGHT	1
5	SX-SBT ASM	G-BELT UNIT	1
6	SX-SBT-RISER.A	RISER	2
7	97416A119	BLACK-OXIDE STEEL SAE WASHER FOR 1/4" SCREW SIZE, 0.281" ID, 0.625" OD	4
8	91290A321	BLACK-OXIDE ALLOY STEEL SOCKET HEAD SCREW, M6 X 1 mm THREAD, 16 mm LONG	4
9	97416A123	BLACK-OXIDE STEEL SAE WASHER FOR 5/16" SCREW SIZE, 0.344" ID, 0.688" OD	4
10	91290A426	BLACK-OXIDE ALLOY STEEL SOCKET HEAD SCREW, M8 X 1.25 mm THREAD, 20 mm LONG	2
11	91101A230	STEEL SPLIT LOCK WASHER FOR 5/16" SCREW SIZE, 0.322" ID, 0.583" OD	2
12	90593A007	BLACK-OXIDE STEEL HEX NUT, MEDIUM-STRENGTH, CLASS 8, M8 X 1.25 mm THREAD	2

REVISIONS				
ZONE	REV.	DESCRIPTION	DATE	APPROVED
	A	INITIAL RELEASE	6/26/20	



SEAT BRACKETS NOT INCLUDED WITH MOUNTING KIT. SOME COCKPITS (E.G. SIM LAB) MAY REQUIRE INSTALLING RAILS UNDER (RATHER THAN ATOP) SEAT BRACKETS. YOU MAY ALSO REVERSE RAILS AND RISERS (SO THEIR MOUNTING FLANGES POINT OUTWARD) IF YOU ARE USING A WIDE SEAT.

ITEMS 7 AND 8 ARE PREINSTALLED INTO ITEM 5 (NOT INCLUDED IN MOUNTING KIT)

**G-BELT UNDERSEAT MOUNTING INSTRUCTIONS (SEAT AND CHASSIS NOT SHOWN FOR CLARITY):**

1. REMOVE BACK TWO BOLTS (NOT SHOWN) WHICH ATTACH SEAT BRACKETS TO CHASSIS.
2. INSTALL RAILS INSIDE SEAT BRACKETS. CHOOSE SLOT WHICH PUTS SINGLE HOLE IN RAIL NEAREST TO DIRECTLY BELOW OPENINGS WHERE SHOULDER HARNESSES PASS THROUGH SEAT BACK (A PLUMB BOB CAN BE HELPFUL). REINSTALL SEAT MOUNTING BOLTS WHILE PUSHING RAILS AGAINST INSIDE OF SEAT BRACKETS.
3. REMOVE HARDWARE PREINSTALLED INTO EACH END OF G-BELT UNIT AND USE IT TO MOUNT RISER TO EACH END OF UNIT.
4. SLIDE RISERS UNDER RAILS AND MOUNT G-BELT UNIT USING SCREWS, WASHERS, LOCKWASHERS, AND NUTS. CENTER G-BELT UNIT BETWEEN RAILS BEFORE TIGHTENING.
5. IF RAILS ARE EITHER TOO WIDE OR TOO NARROW, LOOSEN BACK TWO SEAT BOLTS SLIGHTLY AND ADJUST RAILS AS NEEDED BEFORE TIGHTENING RISERS TO RAILS.
6. REMOVE SCREWS, NAME PLATE AND COVER AS NOTED TO ALLOW SHOULDER HARNESSES TO PASS THROUGH TOP OF G-BELT UNIT. RETAIN PARTS FOR FUTURE USE.
7. THERE ARE SEVERAL OPTIONS FOR THREADING AND ANCHORING SHOULDER HARNESSES. PLEASE REFER TO PHOTOS POSTED IN OWNERS' CLUB FORUM.

UNLESS OTHERWISE SPECIFIED: DIMENSIONS ARE IN MILLIMETERS		FINISH:		DEBURR AND BREAK SHARP EDGES		DO NOT SCALE DRAWING		REVISION A	
SURFACE FINISH:						<b>SIMXPERIENCE</b>		TITLE: G-BELT UNDERSEAT MOUNT ASSY	
TOLERANCES:									
LINEAR:						DRAWN: T. BETTENHAUSEN		SIGNATURE: [Signature]	
ANGULAR:						DATE: 4/13/20			
						MFG: Q.A.		MATERIAL:	
						WEIGHT:		DWG NO. SX-SBT-USM.A	
						SCALE: 1:2		SHEET 1 OF 1	