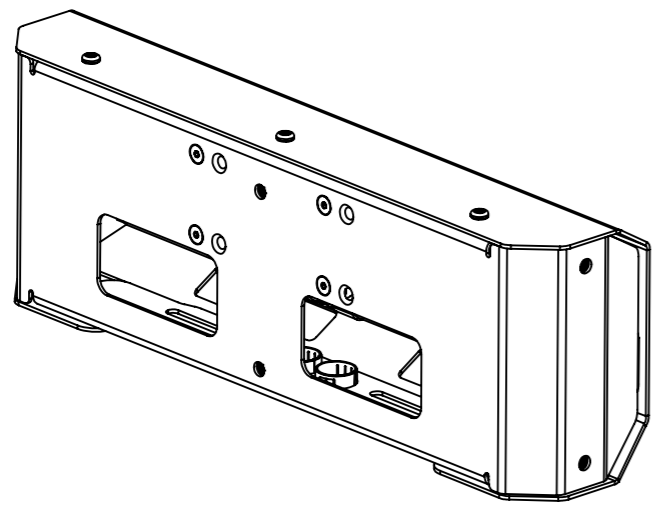
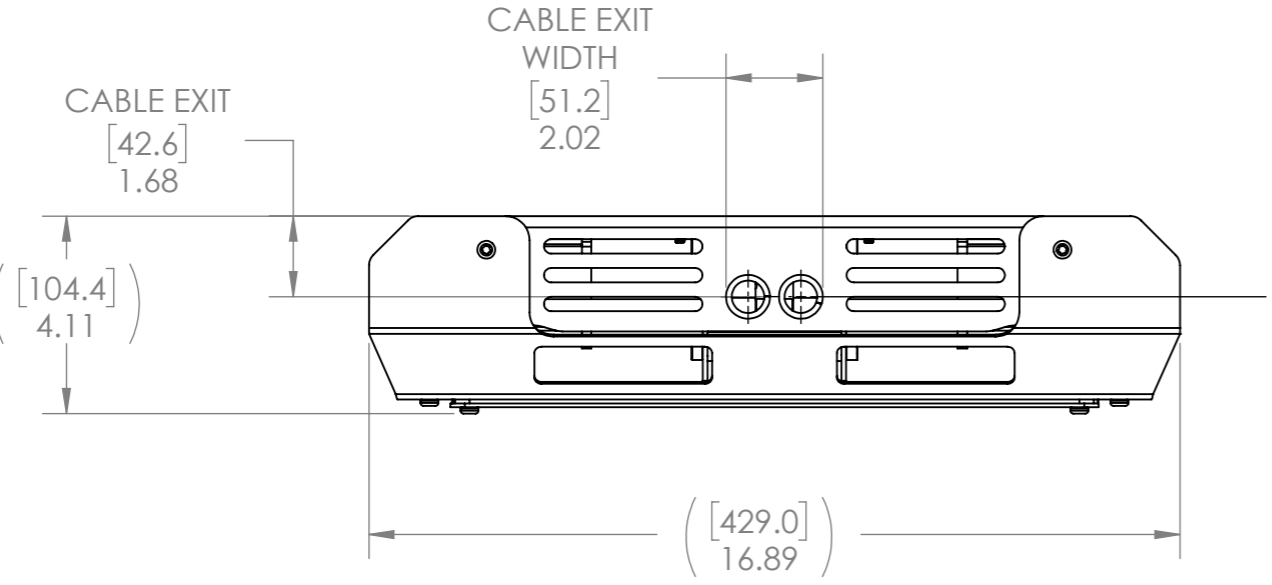
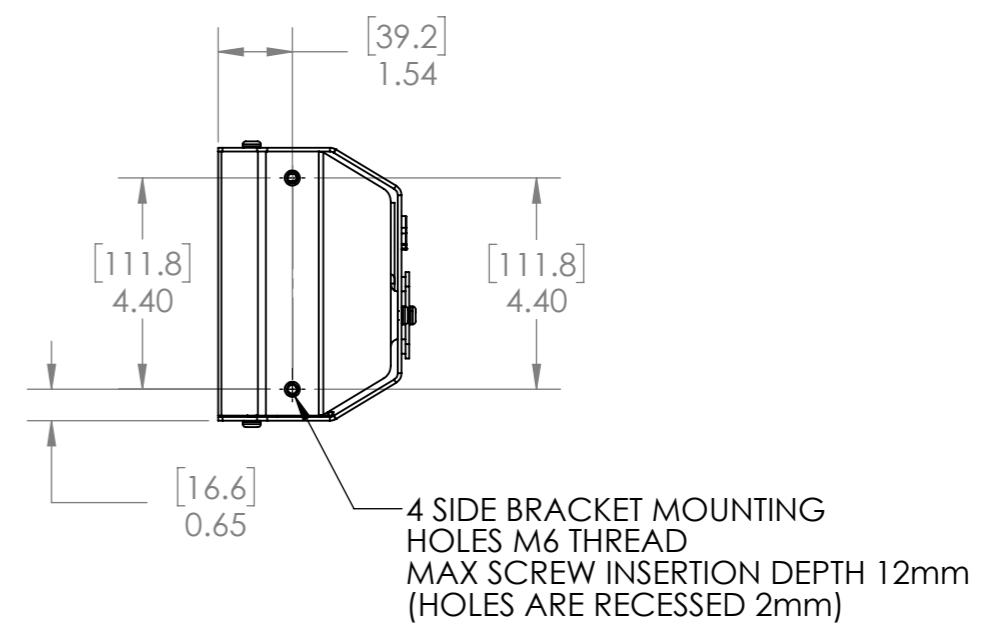
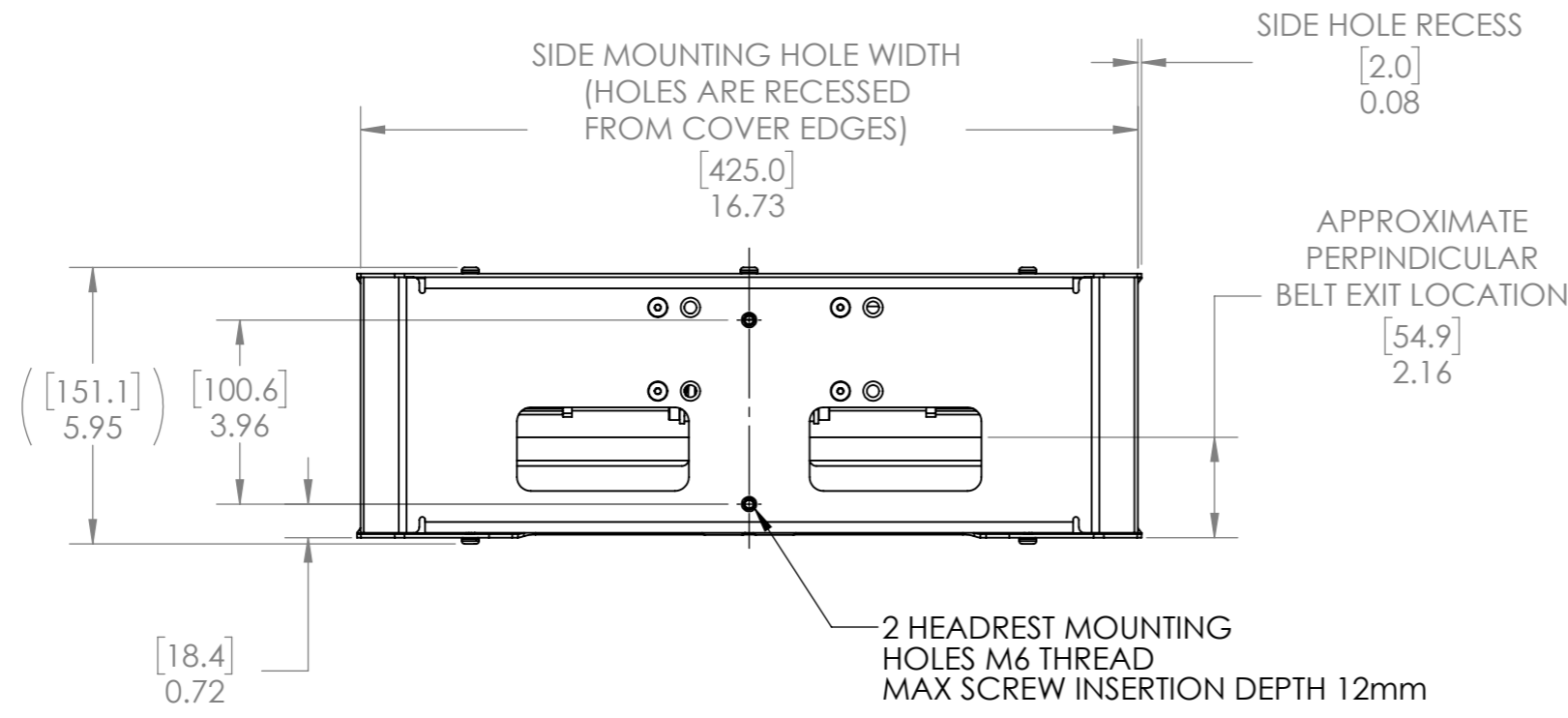
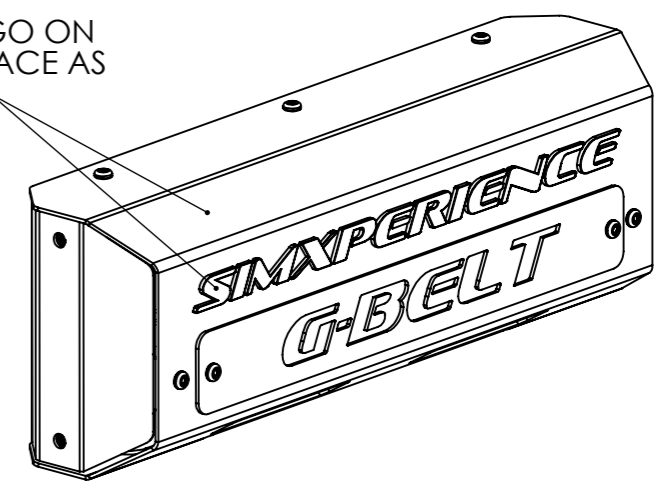


8 7 6 5 4 3 2 1

F
E
D
C
B
A



INSTALL LOGO ON EITHER SURFACE AS DESIRED



NOTE:
1) BRACKETED DIMENSIONS IN MILLIMETERS
2) NON-BRACKET DIMENSIONS IN INCHES
3) MAX BELT WIDTH 3 INCHES [75mm]

DIMENSIONS ARE IN INCHES [MILLIMETERS:]		FINISH:		DO NOT SCALE DRAWING		REVISION F	
IMPERIAL TOLERANCES:				DEBURR AND BREAK SHARP EDGES		SIMXPERIENCE	
TWO PLACE: +/- 0.012 in						TITLE: SX G-BELT	
THREE PLACE: +/- 0.005 in						DWG NO. SX-SBT ASM.F	
METRIC TOLERANCES:						A3	
ONE PLACE: +/- 0.3 mm						SCALE: 1:4	
TWO PLACE: +/- 0.13 mm						SHEET 9 OF 10	
NAME	SIGNATURE	DATE					
DRAWN PAT DOTSON		XX/XX/20					
CHK'D							
APPV'D							
MFG							
Q.A				MATERIAL:			
				WEIGHT:			

8 7 6 5 4 3 2 1