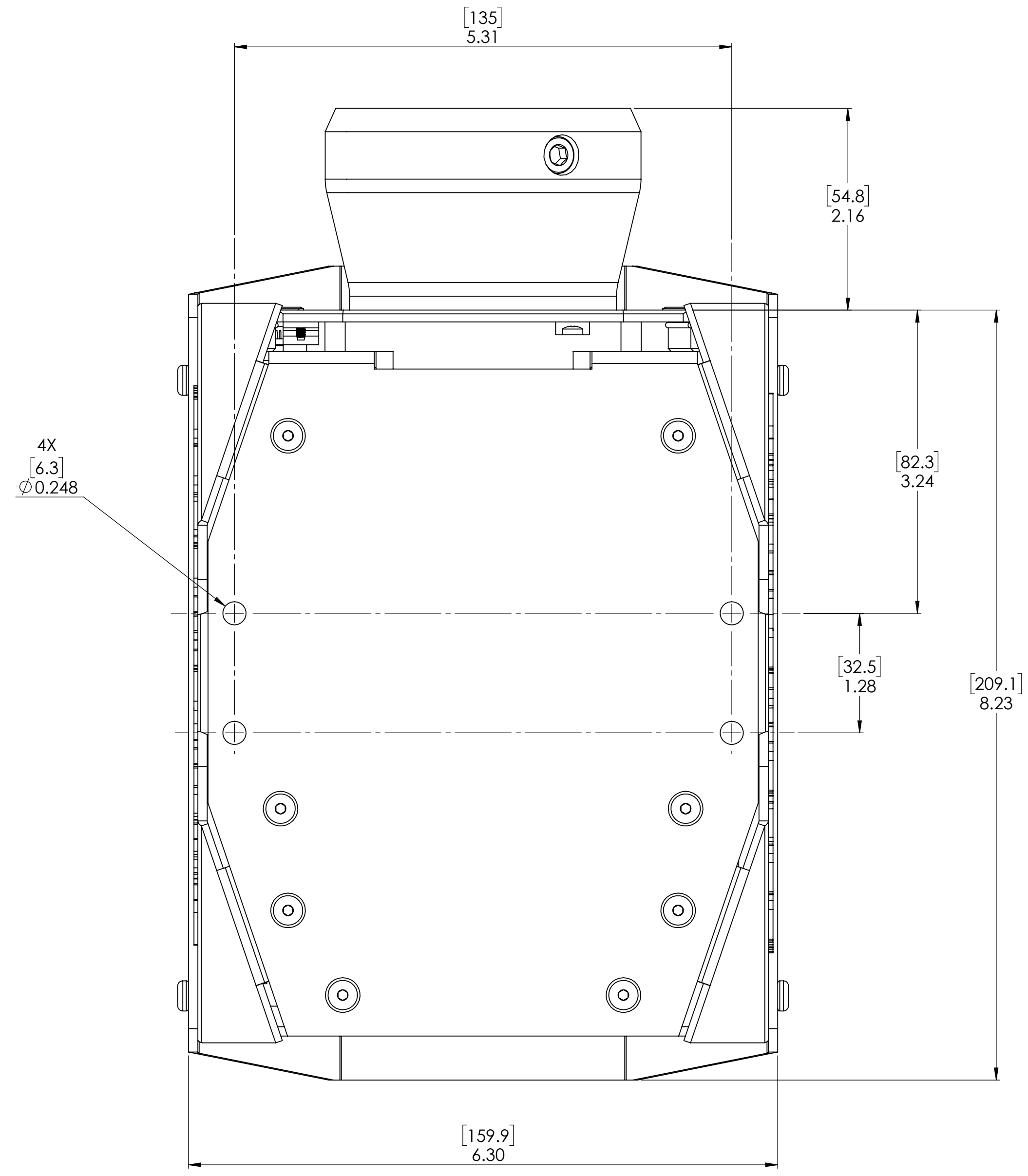


REVISIONS				
ZONE	REV.	DESCRIPTION	DATE	APPROVED
-	B	INITIAL RELEASE	5/22/17	-



**MOUNTING DETAILS**

DIMENSIONS ARE IN INCHES (MILLIMETERS)		FINISH:		DO NOT SCALE DRAWING		REVISION	
IMPERIAL TOLERANCES: TWO PLACE: 0.012 in THREE PLACE: 0.005 in				DEBURR AND BREAK SHARP EDGES		-	
METRIC TOLERANCES: ONE PLACE: [0.3 mm] TWO PLACE: [0.13 mm]						<b>SIMXPERIENCE</b>	
DRAWN: PAT DOTSON		SIGNATURE:		DATE: 5/22/17		TITLE: AF Pro 2 Base Unit	
CHK'D:							
APPV'D:							
MFG:							
Q.A.:				MATERIAL:		DWG NO. SX-APV2-ASM.B	
				WEIGHT:		A2	
				SCALE: 1:5		SHEET 2 OF 2	