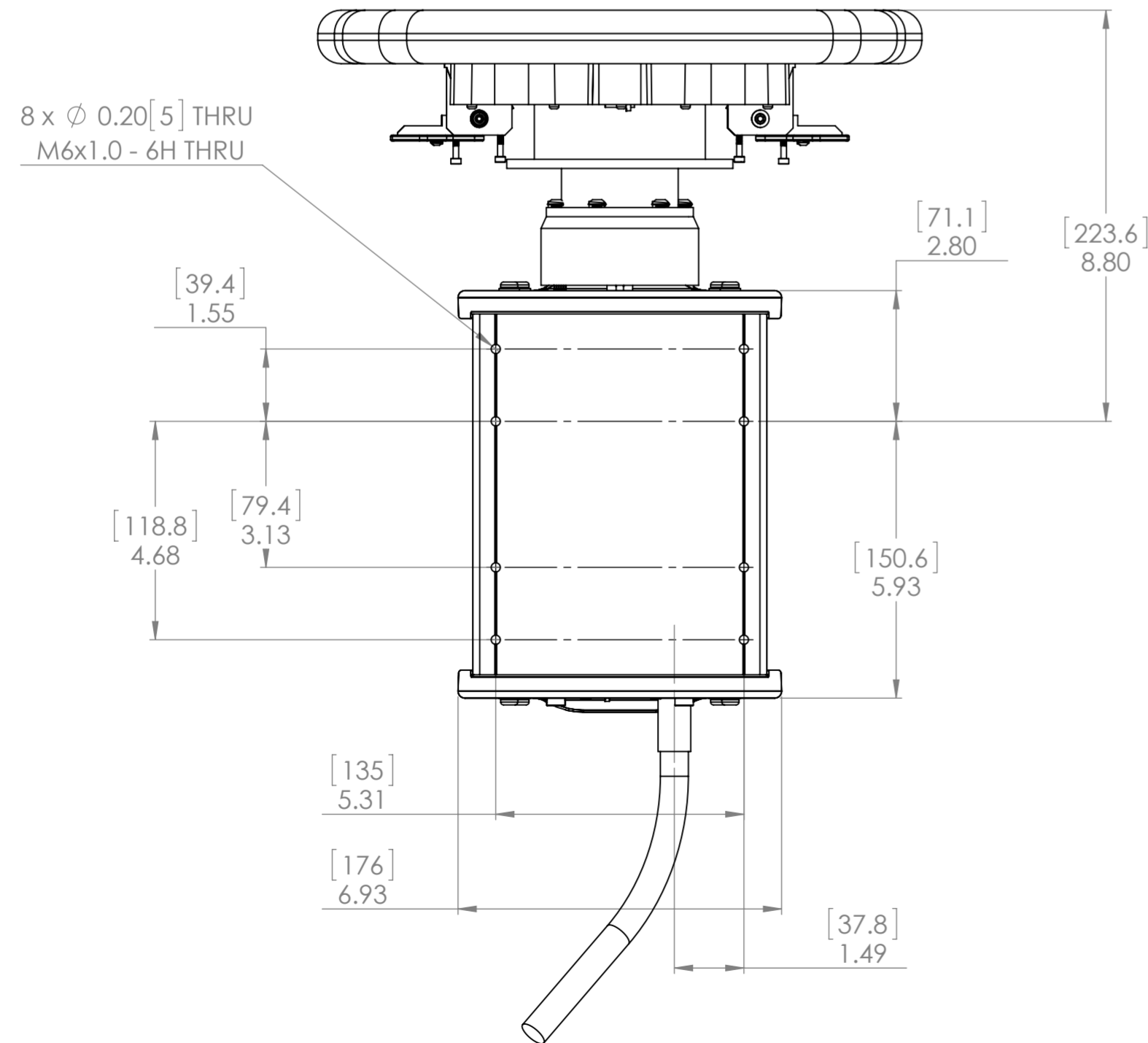
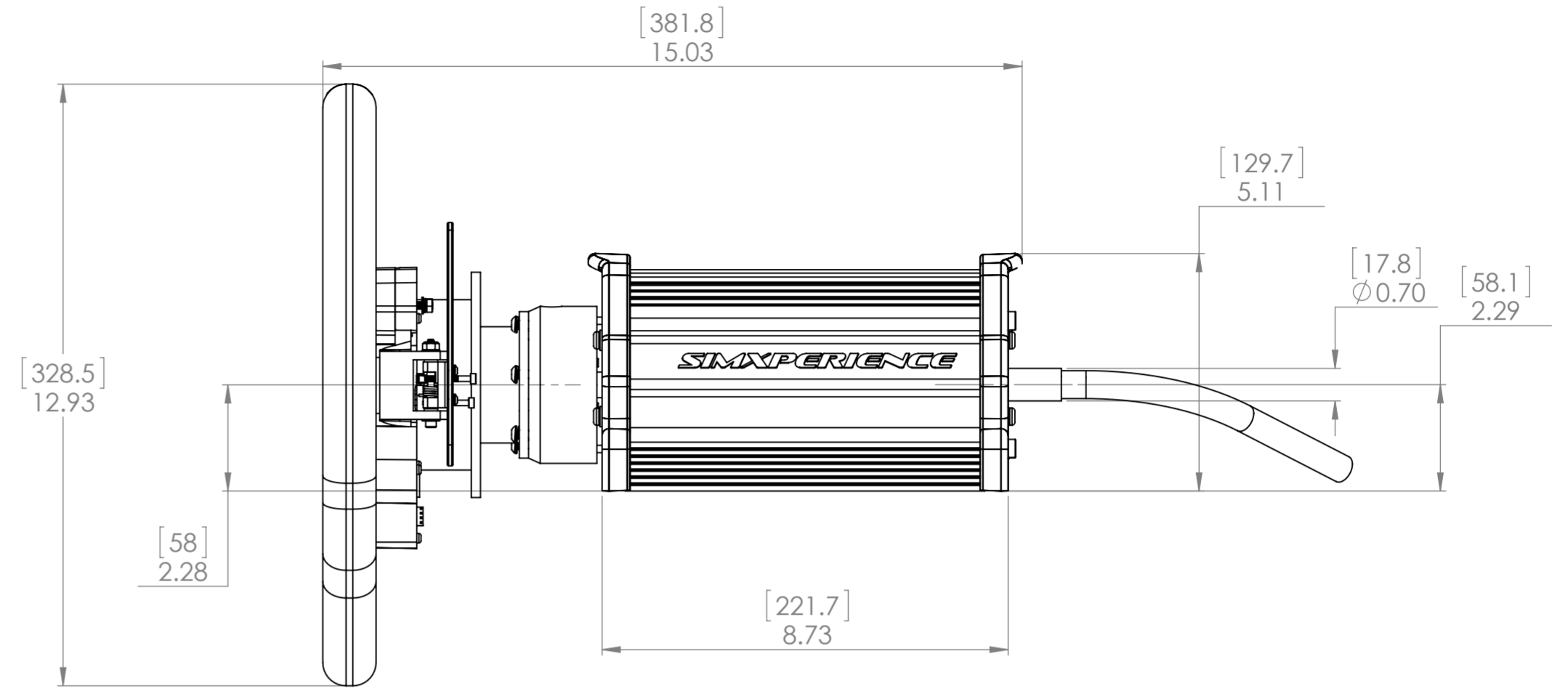
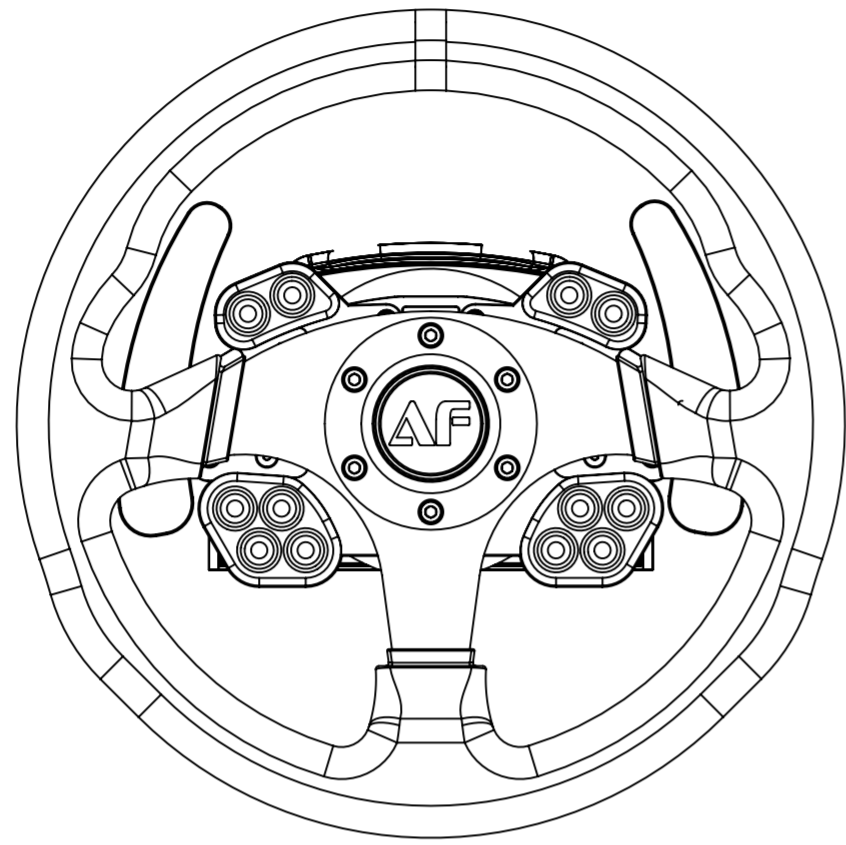


REVISIONS				
ZONE	REV.	DESCRIPTION	DATE	APPROVED
	A	INITIAL RELEASE	12/11/14	PLD
	B	ADD MOUNTING HOLE WIDTH DIMENSION, ADD MOUNTING HOLE CALLOUT	12/11/14	PLD



DIMENSIONS ARE IN MILLIMETERS [INCHES]:		FINISH:		DEBUR AND BREAK SHARP EDGES	
METRIC TOLERANCES:				DO NOT SCALE DRAWING	
ONE PLACE: 0.3 mm				REVISION B	
TWO PLACE: 0.13 mm				SIMXPERIENCE	
IMPERIAL TOLERANCES:				TITLE:	
TWO PLACE: [0.012 in]				OUTLINE	
THREE PLACE: [0.005 in]					
NAME	SIGNATURE	DATE		DWG NO.	A2
DRAWN	P DOTSON	12/11/14			
CHKD					
APPVD					
MFG					
Q.A				MATERIAL:	
				WEIGHT:	
				SCALE: 1:3	SHEET 1 OF 1