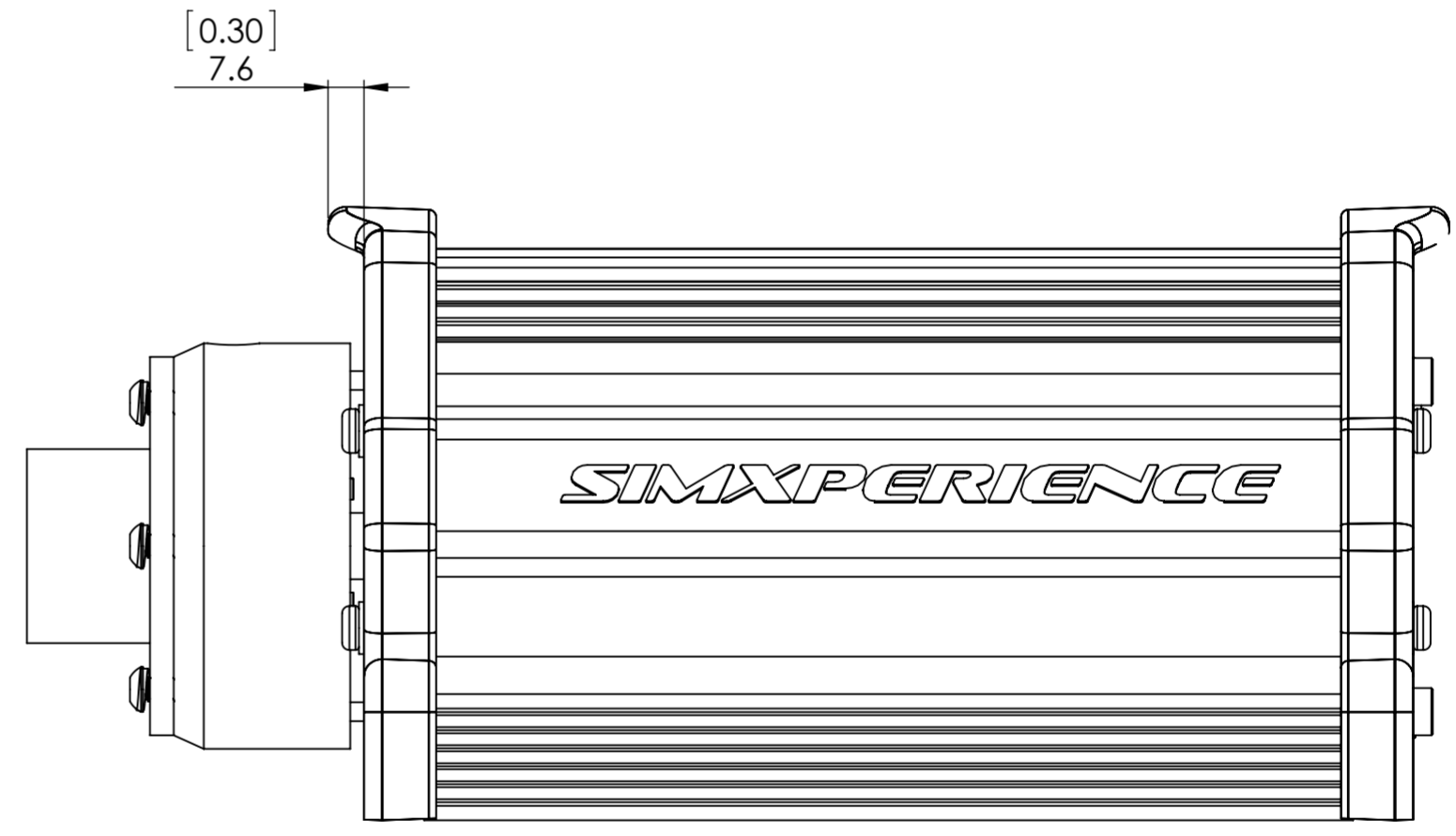
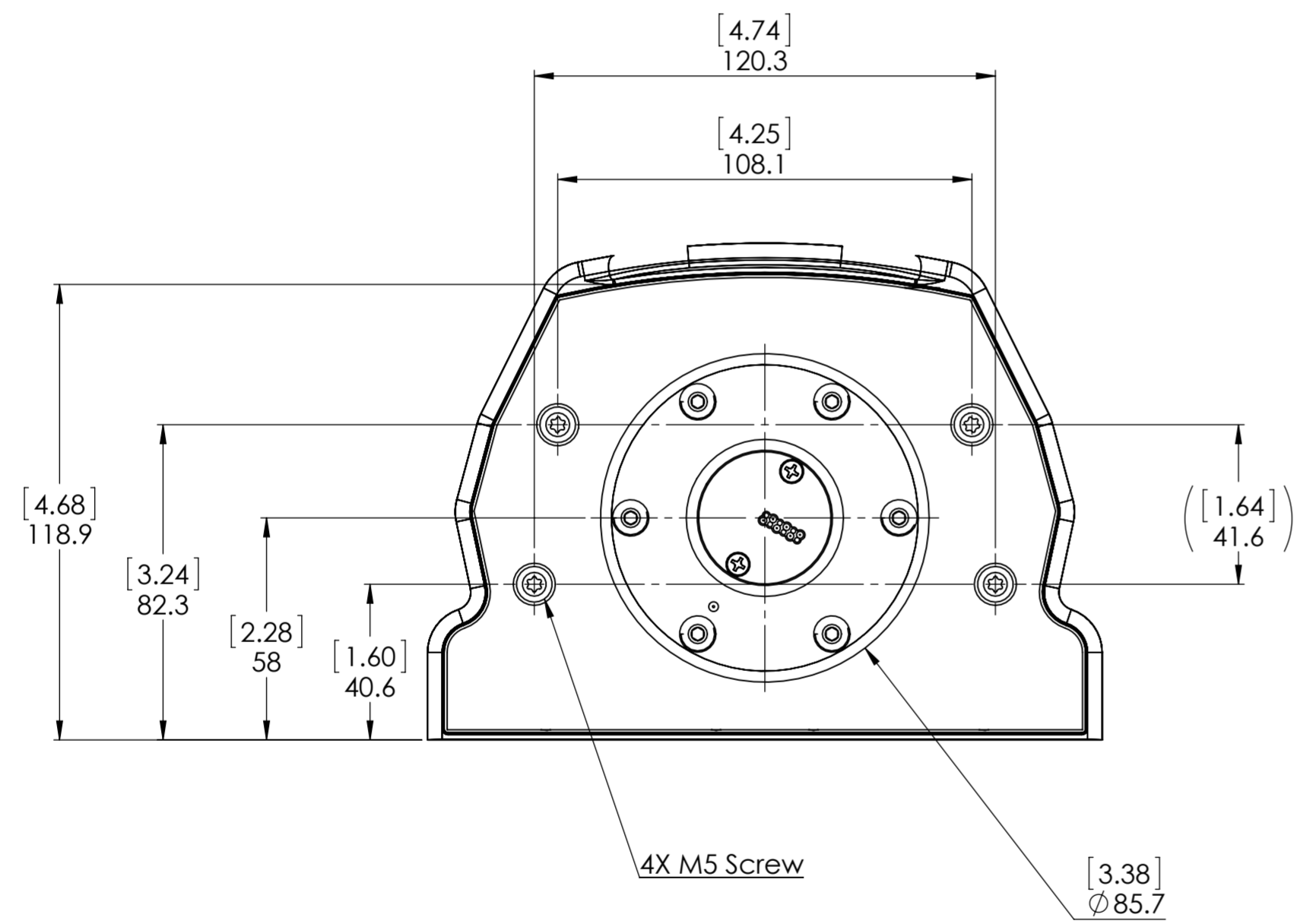
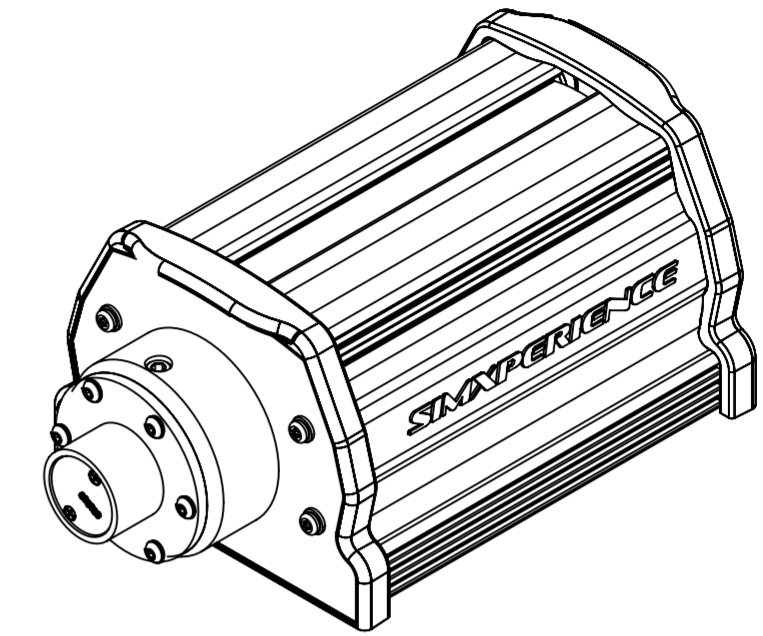


REVISIONS				
ZONE	REV.	DESCRIPTION	DATE	APPROVED
	A	INITIAL RELEASE	1/19/2015	



DIMENSIONS ARE IN MILLIMETERS [INCHES]: METRIC TOLERANCES: ONE PLACE: 0.3 mm TWO PLACE: 0.13 mm IMPERIAL TOLERANCES: TWO PLACE: [0.012 in] THREE PLACE: [0.005 in]		FINISH:	DEBUR AND BREAK SHARP EDGES	DO NOT SCALE DRAWING	REVISION A
DRAWN: P DOTSON CHKD: APPVD: MFG:		NAME: P DOTSON SIGNATURE: DATE: 1/19/15		SIMXPERIENCE TITLE: FACEPLATE MOD DIMENSIONS	
Q.A.: MATERIAL: WEIGHT:				DWG NO.: Faceplate Mod Dimensions Drawing.A.SLDDRW	A2
				SCALE: 1:5	SHEET 1 OF 1